

# Installation instructions for PZ4AL-2934-00, PZ4AL-2935-00 Under Run Protective Shield Transmission Case

## TOYOTA Hilux



### Hilux

Model year:

2015-

Applicability:

GUN125L-DTFSHW; GUN125L-DTFMHW  
GUN126L-DTTMHW; GUN126L-DTTHHW

Part Number:

Steel: PZ4AL-2934-00  
Aluminium: PZ4AL-2935-00



Weight:

Steel: 7.95 kg  
Aluminium: 4.46 kg



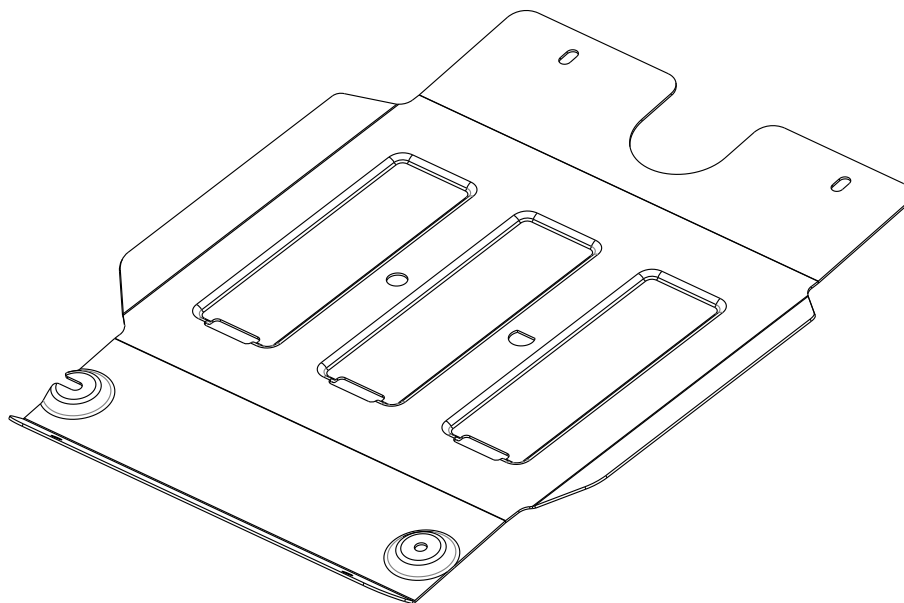
Installation Time:

15 min

Rev.1 14.10.2015

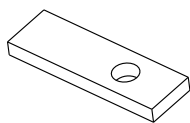
PZ4AL-02934-00, PZ4AL-02935-00

**A**



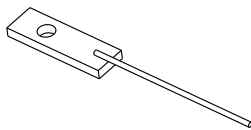
PZ4AL-02934-60

**B**



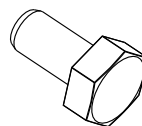
2x

**C**



2x

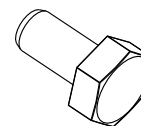
**D1**



M8x30

2x

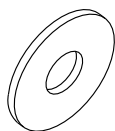
**D2**



M10x30

2x

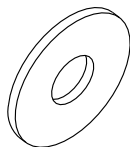
**E1**



d=8

2x

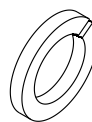
**E2**



d=10

2x

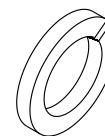
**F1**



d=8

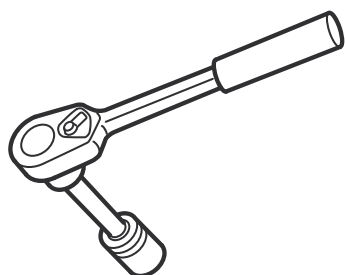
2x

**F2**

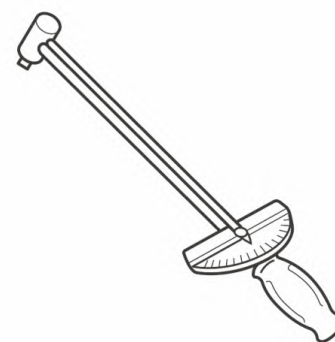


d=10

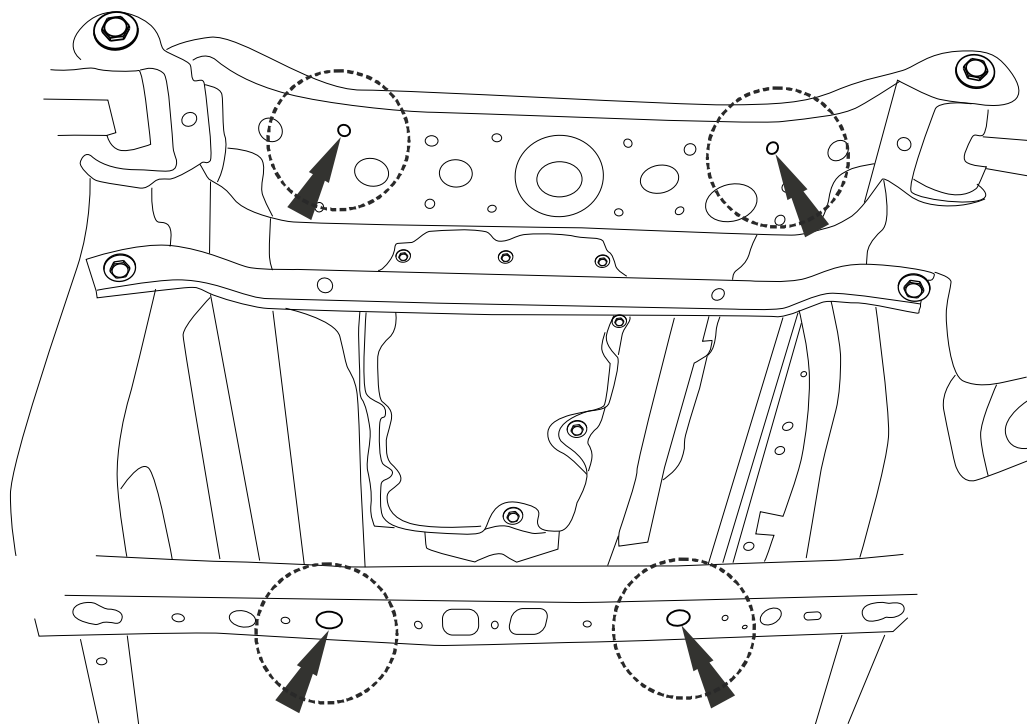
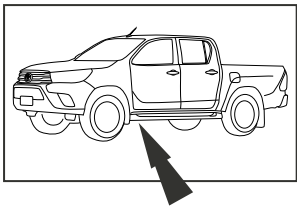
2x



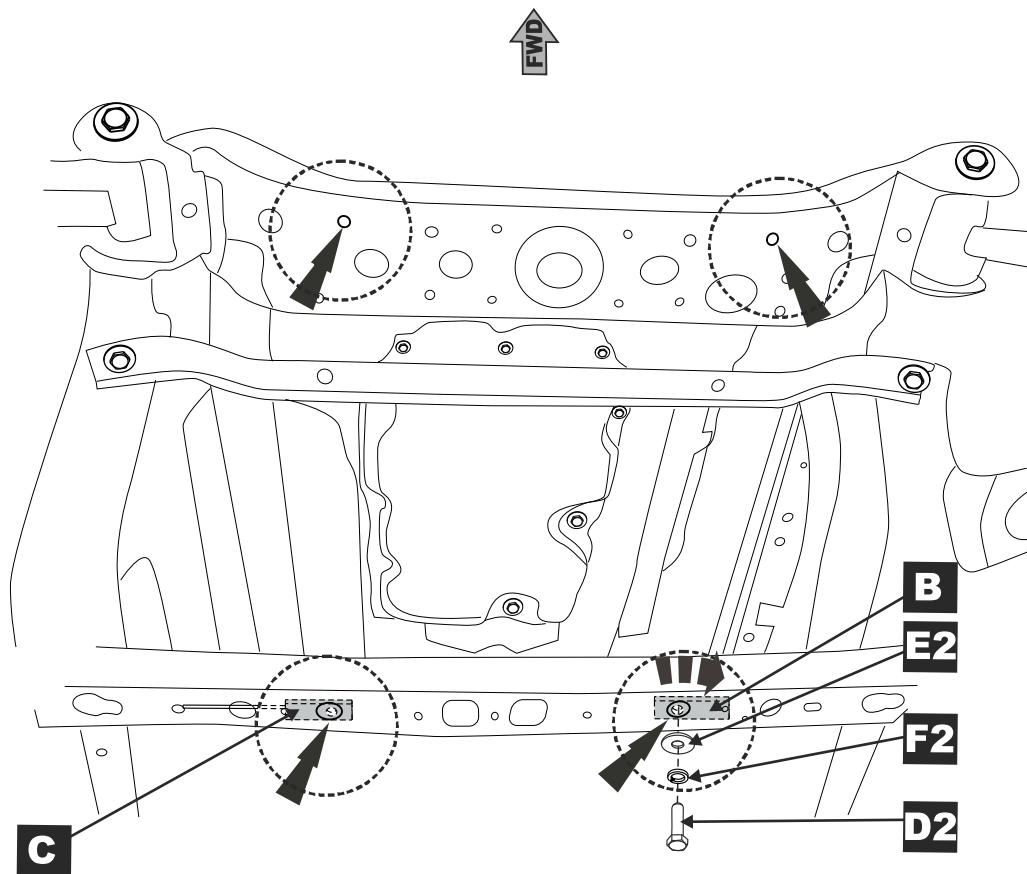
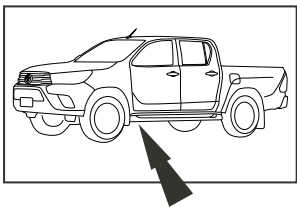
13 mm  
17 mm



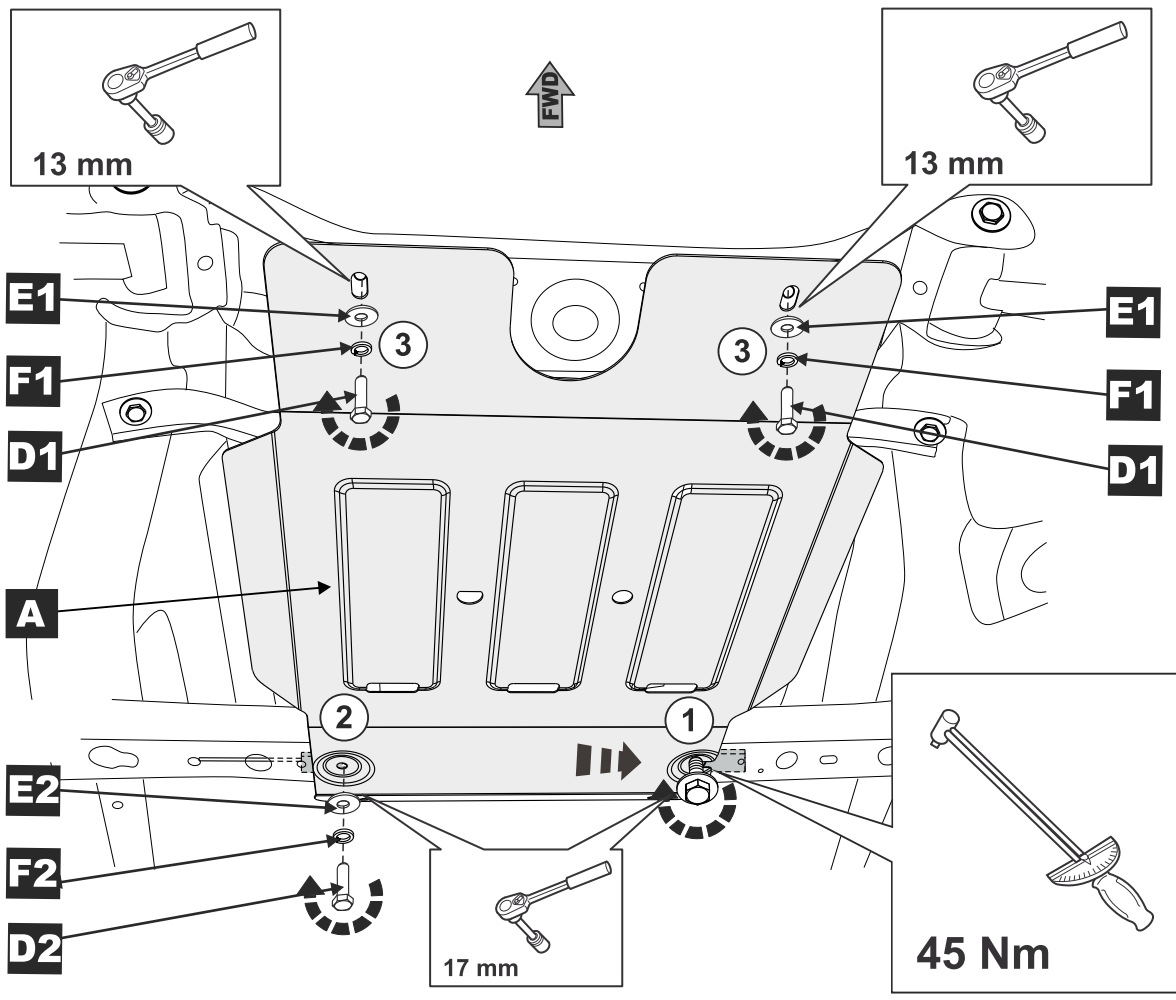
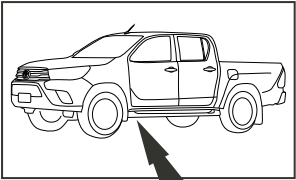
**1**



**2**



**3**



**4**

